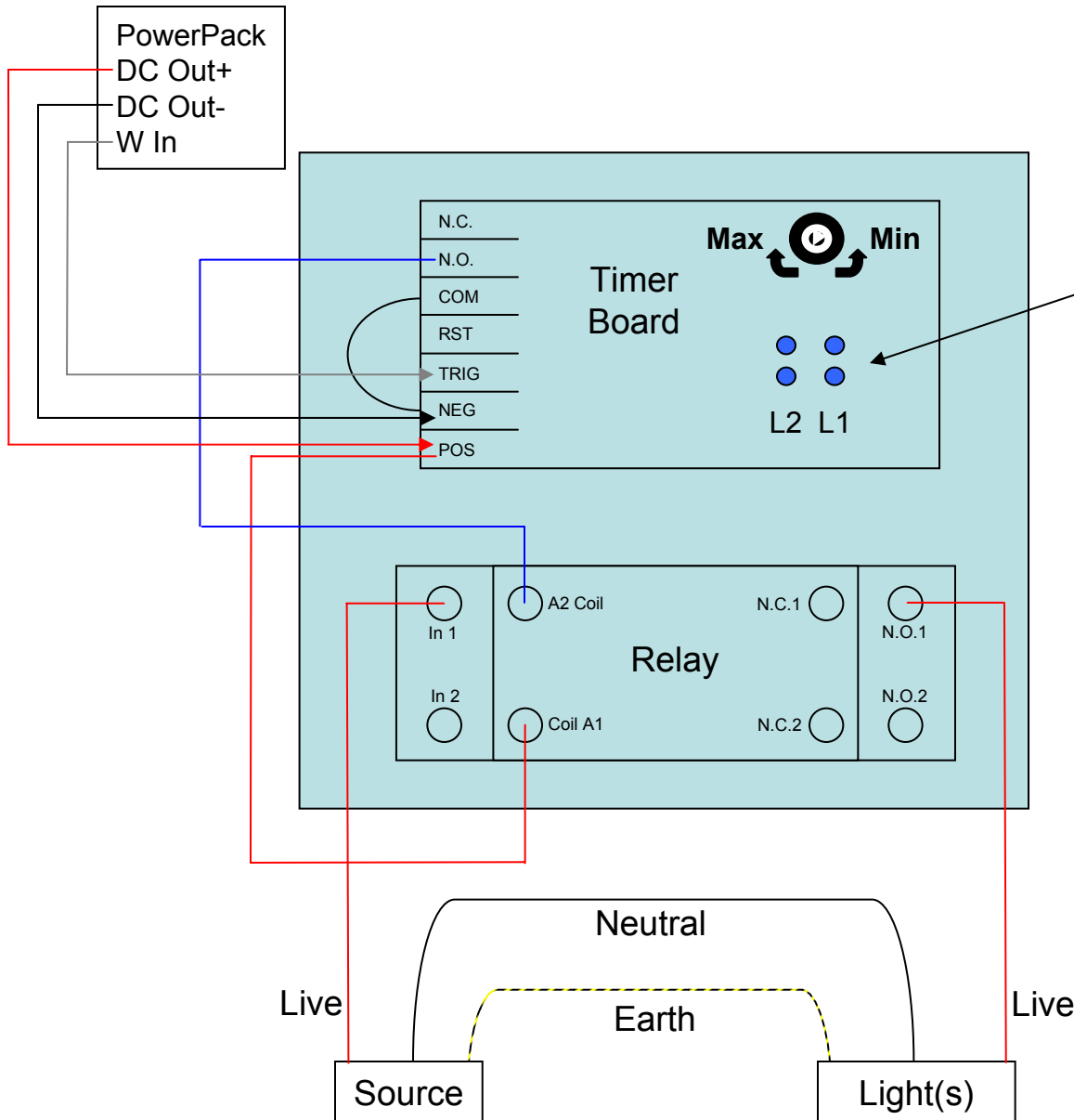


Light Box Wiring – Pre Wired To Power-Pack (Information Only)



LINK	MIN	MAX
NO LINK	2 Seconds	30 Seconds
L2 LINKED	30 Seconds	3 Minutes
L1 LINKED	3 Minutes	30 Minutes
L1 + L2 LINKED	30 Minutes	3 Hours

IMPORTANT NOTES:

NEUTRAL from Source & NEUTRAL from Light must be connected together.
 EARTH from Source & EARTH from Light must be connected together.
 (Ideally using a separate connector)

Live wiring as per diagram.